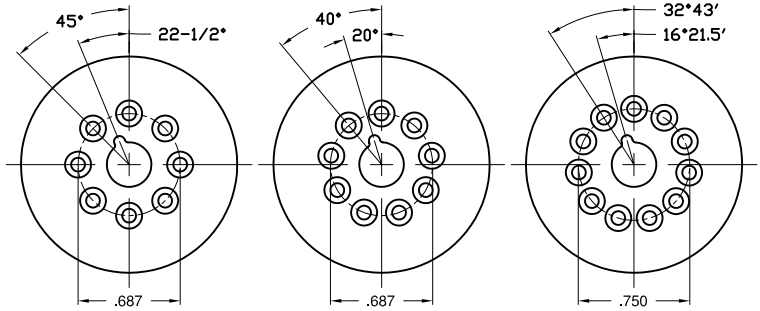
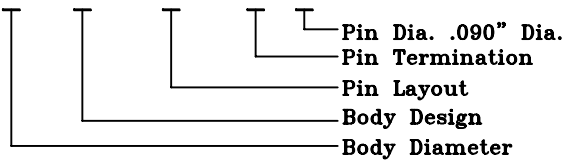


# MINIATURE HERMETIC ELECTRONIC OCTAL PLUGS

OCTAL PLUGS, COMMERCIAL EQUAL  
HERMETIC GLASS-TO-METAL SEALED  
(VACUUM / PRESSURE)

## PART NUMBERING SYSTEM

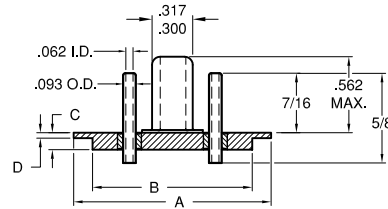
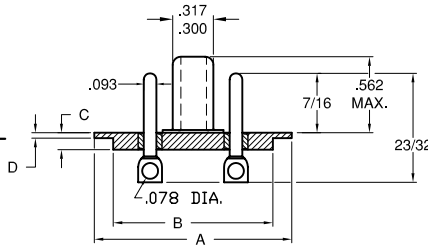
1062 FM - 88 - RP 9



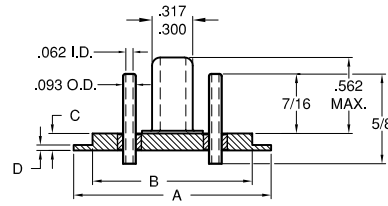
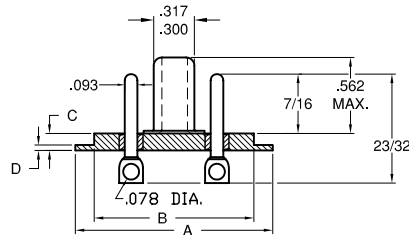
PATTERN 88

PATTERN 99

PATTERN 11



PART NO.	AØ	BØ	C	D	PATTERN No.	PART NO.
1062 M-88-RP9	1.062	--	.125	--	88	1062 M-88-TRS9
1062FM-88-RP9	1.062	.995	.125	.080	88	1062FM-88-TRS9
1062FM-99-RP9	1.062	.995	.125	.080	99	1062FM-99-TRS9
1062FM-11-RP9	1.062	.995	.125	.080	11	1062FM-11-TRS9
1235FM-88-RP9	1.235	1.062	.125	.045	88	1235FM-88-TRS9
1235FM-99-RP9	1.235	1.062	.125	.045	99	1235FM-99-TRS9
1235FM-11-RP9	1.235	1.062	.125	.045	11	1235FM-11-TRS9
1250FM-88-RP9	1.250	1.175	.125	.040	88	1250FM-88-TRS9
1250FM-99-RP9	1.250	1.175	.125	.040	99	1250FM-99-TRS9
1250FM-11-RP9	1.250	1.175	.125	.040	11	1250FM-11-TRS9



PART NO.	AØ	BØ	C	D	PATTERN No.	PART NO.
1062 M-88-RP9	1.062	--	.125	--	88	1062 M-88-STR9
1062FR-88-RP9	1.062	.995	.125	.080	88	1062FR-88-STR9
1062FR-99-RP9	1.062	.995	.125	.080	99	1062FR-99-STR9
1062FR-11-RP9	1.062	.995	.125	.080	11	1062FR-11-STR9
1235FR-88-RP9	1.235	1.062	.125	.045	88	1235FR-88-STR9
1235FR-99-RP9	1.235	1.062	.125	.045	99	1235FR-99-STR9
1235FR-11-RP9	1.235	1.062	.125	.045	11	1235FR-11-STR9
1250FR-88-RP9	1.250	1.175	.125	.040	88	1250FR-88-STR9
1250FR-99-RP9	1.250	1.175	.125	.040	99	1250FR-99-STR9
1250FR-11-RP9	1.250	1.175	.125	.040	11	1250FR-11-STR9

MATERIAL: STANDARD IS CRS BODY AND 52 NICKEL ALLOY PINS.  
STANDARD FINISH IS BRIGHT TIN PLATED BODY AND PINS, OTHER FINISHES AVAILABLE ON REQUEST.

### GENERAL SPECIFICATIONS

AIR LEAKAGE:  $1 \times 10^{-8}$  CM<sup>3</sup>/SEC AT 15psi  
INSULATION RESISTANCE: 10,000 megohms AT 500VDC  
OPERATING TEMPERATURE: -85°F TO +257°F (-65°C TO +125°C)  
CURRENT RATING: SIZE 12: 17 AMPS  
TOLERANCES: DECIMAL ±.005; FRACTIONAL ±1/64

**DETRONICS CORPORATION**  
10660 EAST RUSH STREET, SO. EL MONTE, CA 91733  
TELE: (626) 579-7130 FAX: (626) 579-1936  
www.detrionics.com